

Instruction manual  
Инструкция по эксплуатации

Juicer BR1707  
Соковыжималка BR1707



## СОДЕРЖАНИЕ

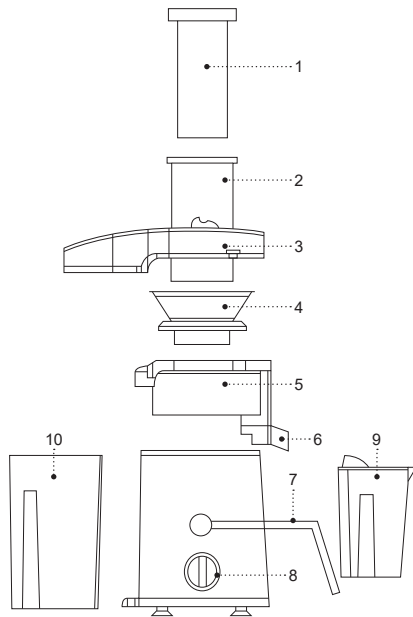
EN.....	3
DE.....	11
RU.....	20
KZ.....	29

## JUICER BR1707

With our Juicer you can make fresh juice from fruits and vegetables.

### DESCRIPTION

1. Plunger
2. Feeding chute
3. Lid
4. Grate filter
5. Juice bowl
6. Juice spout
7. Lock
8. Mode switch
9. Juice container
10. Pulp container



## SAFETY MEASURES AND OPERATION RECOMMENDATIONS

**Read the operation manual carefully before using the press Juicer; after reading, keep it for future reference.**

**ATTENTION!** Do not operate the Juicer for more than 1 minute at a time. Please wait a minimum of 1 minute before operating the Juicer again.

- Use the press Juicer for its intended purpose only, as specified in this manual.
- Mishandling the Juicer can lead to its breakage and cause harm to the user or damage to the user's property, which is not covered by warranty.
- Make sure that the operating voltage of the unit indicated on the label corresponds to your home mains voltage.
- Do not connect the unit to external timers or remotely controlled mains sockets.
- Install and use the press Juicer on a flat, dry, steady surface with free access to the mains socket.
- Do not use the unit outdoors.
- It is recommended not to use the unit during lightning storms.
- Protect the Juicer from impacts, falling, vibrations and other mechanical stress.
- Never leave the unit connected to the mains unattended.
- Do not use the unit near heating appliances, heat sources or open flame.
- Do not use the Juicer in places where aerosols are used or sprayed, and in proximity to inflammable liquids.
- Do not use the Juicer in proximity to the kitchen sink, in bathrooms, near swimming pools or other containers filled with water.
- If the Juicer is dropped into water, unplug it immediately, and only then you can take the unit out of water. Contact a service center to check or repair the unit.
- Do not let the power cord touch hot surfaces and sharp edges of furniture.
- Use only the removable parts supplied with the press Juicer.
- The Juicer is not intended for mixing foods.
- Do not use the Juicer without the pulp container.
- Be careful when installing and removing the grate filter – the surface of the grater disc is sharp.
- Always check the grate filter for damages, do not install the grate filter or use the Juicer should you discover any – replace the grate filter first.
- Do not use your fingers or any utensil other than the included plunger while inserting fruits and vegetables into the feeding chute.
- Do not lean over the open feeding chute while the Juicer is in use – fruit and vegetable pieces may shoot out of the chute and injure the user.

- Do not disassemble the Juicer if the device is plugged into the mains.
- Unplug the unit after usage or before cleaning. When unplugging the Juicer, hold the power plug and carefully remove it from the mains socket, do not pull the power cord, as this can lead to its damage and cause a short circuit.
- Do not touch the unit body, the power cord and the power plug with wet hands.
- For child safety reasons do not leave polyethylene bags used as packaging unattended.

**ATTENTION!** Do not allow children to play with polyethylene bags or packaging film. **Danger of suffocation!**

- The unit is not intended for usage by children.
- Do not leave children unattended to prevent using the unit as a toy.
- Do not allow children to touch the operating surface, the unit body, the power cord or the power plug during operation of the unit.
- Be especially careful if children or disabled persons are near the operating unit.
- During the unit operation and breaks between operation cycles, place the unit out of reach of children.
- The unit is not intended for usage by physically or mentally disabled persons (including children) or by

persons lacking experience or knowledge if they are not under supervision of a person who is responsible for their safety or if they are not instructed by this person on the usage of the unit.

- From time to time check the power cord integrity.
- If the power cord is damaged, it should be replaced by the manufacturer, a maintenance service or similar qualified personnel to avoid danger.
- Do not repair the unit by yourself. Do not disassemble the unit by yourself, if any malfunction is detected, and after the unit was dropped, unplug it and apply to the authorized service center.
- To avoid damages, transport the unit in the original package.
- Keep the unit in a dry cool place out of reach of children and disabled persons.

**THE UNIT IS INTENDED FOR HOUSEHOLD USE ONLY, DO NOT USE THE UNIT FOR COMMERCIAL OR LABORATORY PURPOSES.**

## **BEFORE THE FIRST USE**

**After unit transportation or storage at negative temperature, unpack it and wait for 3 hours before using.**

- Unpack the unit and remove all the packaging materials.
- Keep the original package.

- Read the safety measures and operating recommendations.
- Check the delivery set.
- Examine the unit for damages, in case of damage do not plug it into the mains.
- Make sure that specified specifications of power supply voltage of the unit correspond to the specifications of your mains. When the unit is used in the mains with 60 Hz frequency, it does not need any additional settings.
- Disassemble the Juicer and wash the parts that come into contact with fruit and vegetables when the Juicer is in use.
- Extract the plunger (1) from the feeding chute (2) of the lid (3).
- Lower the lock (7) and close the lid (3).
- For your convenience, remove the grate filter (4) together with the juice bowl (5), by seizing the juice bowl (5) and pulling it upwards.
- Thoroughly wash the removable parts (1, 3, 4, 5, 9, 10, 11) with a neutral detergent, rinse, and dry them.

**Note:** take caution – the sharp surface of the grater disc can cause injury.

- Assemble the Juicer in reverse order, install the juice bowl (5) onto the motor unit, install the grate filter (4), – you will hear a characteristic clicking sound, put the Lid (3) on, fixate the lid (3) by raising the lock (7), insert the plunger (1) into the feeding chute (2).

## TIPS

- The Juicer is not intended for extracting juice from fruits, containing high levels of pectin or starch, such as bananas, papayas, figs, redcurrants, blackcurrants, avocados, and etc., bananas contain little to no juice, only add them for the scent.
- The Juicer is not intended to process too hard high-fiber foods, such as, coconuts, quinces, rheum, and etc.
- Use other types of kitchen appliances to process those kinds of food.
- Only use ripe fruit and fresh vegetables, as they contain most juice.
- Various fruits (apples, grapes, pineapples, and etc.) and vegetables (carrots, beetroot, celery stalks, spinach, cucumbers, tomatoes, and etc.).
- Wash and dry fruit and vegetables thoroughly before extracting juice from them.
- Berries are quick to lose their freshness, wash them immediately before juicing.
- Removing only the thicker skins of such ingredients as, for example, pineapples or beetroot. Removing the thinner ones is not necessary.
- Choose the apple cultivar according to your needs; remember that the richness of the juice will depend on the cultivar.
- You can keep the core of the apple while extracting apple juice.

- Apple juice quickly darkens, to slower this process add a few drops of lemon juice.
- Drink juice immediately following its extraction; if left in open air, it will lose its taste and nutritional value.
- If you are planning to store the juice, pour it into an airtight container and keep in a refrigerator.
- Do not store the juice in metal containers – it can acquire metal taste.

## MAKING JUICE

### ATTENTION!

- Do not operate the Juicer for more than 1 minute at a time. Please wait a minimum of 1 minute before operating the Juicer again.
- Always check the grate filter (4) for damages before assembling the Juicer.
- Do not use the Juicer if the grate filter (4) is damaged.
- Prepare fruits or vegetables, thoroughly wash them, remove inedible parts of the fruits, such as peduncles, remove the thick skin from the pineapple, remove the seeds from the cherries and peaches, cut the fruit into pieces that will easily fit into the feeding chute (2).
- Make sure that the Juicer has been assembled correctly and that the lock (7) is in the right position.
- Position the Juicer on an even, dry, and steady surface, so that the mains socket is always freely accessible.

- Make sure that the mode switch (8) is set to «0», and the device is not plugged into the mains.
- Install the pulp container (10) under the lid (3) at the back of the Juicer.
- Install the juice container (9) under the juice spout (6).
- Insert the power plug into the mains socket.
- In order to turn the Juicer on, set the mode switch (8) to «1» – low speed or «2» – high speed.
- Use the low speed «1» to extract juice from soft fruits, berries, and vegetables: - ripe pears, oranges, plums, pineapples, grapes, strawberries, tomatoes, cucumbers, and etc.
- Use the high speed «2» to extract juice from hard fruits and vegetables: - apples, carrots, beetroot, potatoes, marrows, pumpkins, celery, and etc.

**Note:** the characteristic smell of electric motor is to be expected during first use, as the electric motor needs some time to smooth out the carbon brushes. This is normal and does not constitute a warrantable failure.

- Only put fruit and vegetables into the feeding chute (2), when the grate filter (4) is rotating, while lightly pushing them through with the plunger (1). Avoid applying excessive force when pushing the plunger (1), too much pressure can cause the grate filter (4) to stop rotating. The slower the pace at which fruit and vegetables are shredding, the greater the juice output is.
- Do not use your fingers or any utensil other than the included plunger (1) while inserting fruits and vegetables into the feeding chute (2).

- Check whether the grate filter (4) is clogged up with pulp regularly. If necessary, turn the Juicer off, by setting the mode switch (8) to «0», and unplug it from the mains.
- Disassemble the Juicer, remove the grate filter (4), wash the grate filter (4) in running water and reinstall it back, reinstall the other removed parts and you will be able to continue using the Juicer.
- Once the juice container (9) has filled up, turn the Juicer off and pour the juice into a suitable container.
- Watch the pulp container (10) as it fills, should the pulp container (10)
- top up, turn off the Juicer, and remove the pulp from the pulp container (10).

**Note:** for your convenience, place an appropriately-sized bag into the pulp container (10) to remove the pulp together with the bag.

- Once you finish using the Juicer, turn it off by setting the mode switch (8) to «0», and unplug it from the mains.

### OVERHEATING PROTECTION

- Exceeding the operating temperature will trigger the overheating protection and the Juicer will turn off.
- Should the Juicer turn off on its own, set the mode switch (8) to «0» and unplug it from the mains.
- Depending on the room temperature, the electric motor can take from 20 to 50 minutes to cool down, once it has cooled down, plug it into the mains and turn the

Juicer on, by setting the mode switch (8) to «1» or «2».

- Should the Juicer fail to turn on, wait for some time, if nothing changes this might indicate another defect. In this case, please, contact an authorized service center.
- Do not exceed the recommended operation time.

### CLEANING AND CARE

- Perform cleaning of the Juicer after each use.
- Turn off the Juicer and unplug it from the mains before cleaning.
- Do not submerge the motor unit, power cable, or power cable plug into water or any other liquid.
- Extract the plunger (1) from the feeding chute (2) of the lid (3).
- Lower the lock (7) and close the lid (3).
- For your convenience, remove the grate filter (4) together with the juice bowl (5), by grasping at the juice bowl (5) and pulling it upwards.
- Wash the removed parts, juice container (9), and pulp container (10) with warm water and a neutral detergent, rinse and dry them.
- Be careful when washing the grate filter - the surface of the grater is sharp.
- Wash the openings of the grate filter (4) from the outer side, using the brush (11).
- Do not wash the removable parts of the Juicer in a dishwasher.



- Clean the motor unit with a slightly damp tissue, then wipe it dry.
- Do not use metal scouring pads, abrasives, or solvents for cleaning the Juicer.
- Fruits and vegetables with painting properties, blackberries, carrots, or beetroot, for example, can color certain parts of the Juicer. If this happens you can try clearing the paint with a dry tissue soaked in vegetable oil, followed by washing the parts with warm water and a neutral detergent, rinsing, and drying them.

### STORAGE

- Perform a cleaning of the Juicer before taking it away for storage.
- Keep the Juicer in a dry cool place unreachable by children or people with disabilities.

### DELIVERY SET

- Juicer – 1pc.
- Instruction Manual – 1pc.

### TECHNICAL SPECIFICATIONS

- Power supply: 220-240 V, ~ 50-60 Hz
- Rated input power: 500 W
- Inlet opening diameter – 65 mm
- Juice container volume – 0.5 l
- Pulp container volume – 1.6 l
- Troubleshooting

Malfunction	Solution
Odd smell after the Juicer was turned on for the first time.	This is normal, as the electric motor needs some time to smooth out the carbon brushes.
The Juicer does not turn on	<ol style="list-style-type: none"> <li>1. Check if the assembly has been done correctly and whether the lock is in the correct position.</li> <li>2. Check whether there is voltage in the socket, by plugging into it another electric appliance known to be operational.</li> <li>3. The overheating protection has been triggered, unplug the Juicer from the mains, wait for 20-50 minutes, then turn it on.</li> </ol>
Abruptly reduced amount of juice	<ol style="list-style-type: none"> <li>1. The grate filter has clogged up: <ul style="list-style-type: none"> <li>- turn off the Juicer and remove the power cable plug from the electric socket;</li> <li>- disassemble the Juicer and extract the grate filter;</li> <li>- clean and wash the grill of the grate filter.</li> </ul> </li> </ol>

<p>The Juicer shakes while in use.</p>	<p>1. Pulp can stick to one side of the grate filter:</p> <ul style="list-style-type: none"> <li>- turn off the Juicer and remove the power cable plug from the electric socket;</li> <li>- disassemble the Juicer and extract the grate filter;</li> <li>- clean and wash the grill of the grate filter.</li> </ul> <p>2. The grate filter is physically damaged:</p> <ul style="list-style-type: none"> <li>- examine the grate filter, do not use the Juicer if there are physical damages;</li> <li>- replace the grate filter.</li> </ul>
<p>When making juice, the Juicer is making loud noise, producing odd smell, smoke, or heating up, and etc.</p>	<p>Stop operating the Juicer, unplug it from the mains, and contact an authorized service center to request inspection or repairs.</p>

For further information about recycling of this product apply to a local municipal administration, a disposal service or to the shop where you purchased this product.

The manufacturer reserves the right to change the appearance, design and specifications not affecting general operation principles of the unit, without prior notice.

**The unit operating life is 3 years**

**The manufacturing date is specified in the serial number.**

**In case of any malfunctions promptly apply to the authorized service center.**

## RECYCLING



To prevent possible damage to the environment or harm to the health of people by uncontrolled waste disposal, after service life expiration of the unit or the batteries (if included), do not discard them with usual household waste, deliver the unit and the batteries to specialized centers for further recycling.

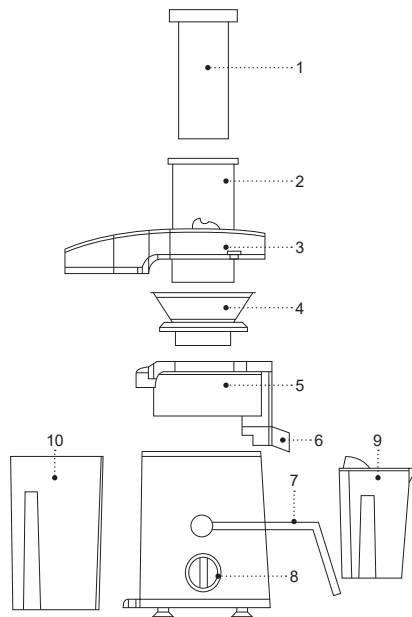
The waste generated during the disposal of the unit is subject to mandatory collection and consequent disposal in the prescribed manner.

## ENTSAFTER BR1707

Verwenden Sie den elektrischen Entsafter, um frischen Saft aus Obst oder Gemüse zu machen.

### BESCHREIBUNG

1. Stampfer
2. Füllrohr
3. Deckel
4. Reibfilter
5. Saftsammler
6. Saftauslauf
7. Verriegelung
8. Betriebsschalter
9. Saftbehälter
10. Tresterbehälter



## **SICHERHEITSHINWEISE UND GEBRAUCHSANLEITUNG**

**Bevor Sie den Entsafter benutzen, lesen Sie die Bedienungsanleitung aufmerksam durch und bewahren Sie sie zum späteren Gebrauch auf.**

### **ACHTUNG!**

Die maximal zulässige Dauer eines ununterbrochenen Entsafterbetriebszyklus beträgt nicht mehr als 1 Minute mit einer nachfolgenden Pause von mindestens 1 Minute.

- Benutzen Sie den Entsafter nur bestimmungsmäßig und laut dieser Bedienungsanleitung.
- Der Missbrauch des Geräts kann zu seiner Störung führen, den Benutzer oder sein Eigentum beschädigen und ist kein Garantiefall.
- Vergewissern Sie sich, dass die auf dem Bezeichnungszettel angegebene Betriebsspannung und die Netzspannung übereinstimmen.
- Schließen Sie das Gerät an keine externen Timer oder elektrischen Steckdosen mit Fernbedienung an.
- Stellen und benutzen Sie den Entsafter auf einer ebenen, trockenen, standfesten und Oberfläche mit immer freiem Zugang zur Steckdose auf.
- Es ist nicht gestattet, das Gerät draußen zu benutzen.
- Es ist nicht empfohlen, das Gerät bei Gewitter zu benutzen.

- Schützen Sie den Entsafter vor Stößen, Stürzen, Vibrationen und anderen mechanischen Einwirkungen.
- Lassen Sie das ans Stromnetz angeschlossene Gerät nie unbeaufsichtigt.
- Benutzen Sie das Gerät in direkter Nähe von Heizgeräten, Wärmequellen oder offenem Feuer nicht.
- Es ist verboten, den Entsafter an den Orten, wo Sprays verwendet werden, sowie in der Nähe von leichtentzündbaren Flüssigkeiten, zu benutzen.
- Benutzen Sie den Entsafter in der Nähe von Spülbecken, in Badezimmern und neben den Wasserbecken oder anderen mit Wasser gefüllten Behältern nicht.
- Falls der Entsafter ins Wasser gefallen ist, ziehen Sie den Netzstecker aus der Steckdose sofort heraus, erst danach holen Sie das Gerät aus dem Wasser heraus. Wenden Sie sich an einen autorisierten Kundendienst, um das Gerät prüfen oder reparieren zu lassen.
- Achten Sie darauf, dass das Netzkabel heiße Oberflächen und scharfe Möbelkanten nicht berührt.
- Benutzen Sie nur die mitgelieferten abnehmbaren Entsafterteile.
- Der Entsafter ist nicht zum Zerkleinern oder Mixen von Nahrungsmitteln bestimmt.
- Verwenden Sie den Entsafter ohne Tresterbehälter nicht.
- Seien Sie beim Einsetzen und Entfernen des Reibfilters vorsichtig,

- die Oberfläche der Scheibenreihe ist scharf.
- Prüfen Sie das Reibfilter immer auf mechanische Beschädigungen, wenn Sie diese feststellen, stellen Sie das Reibfilter nicht auf und verwenden Sie den Entsafter nicht, bis das Reibfilter ersetzt wird.
- Während des Betriebs verwenden Sie nur den mitgelieferten Stampfer, schieben Sie Obst oder Gemüse mit Ihren Fingern oder anderen Gegenständen ins Füllrohr nicht durch.
- Beugen Sie sich nicht über dem offenen Füllrohr, wenn der Entsafter eingeschaltet ist, Obst- oder Gemüsestücke können aus dem Rohr herausspringen und den Benutzer verletzen.
- Nehmen Sie den Entsafter nicht auseinander, wenn der Netzstecker an eine Steckdose angeschlossen ist.
- Trennen Sie das Gerät nach dem Gebrauch oder vor der Reinigung vom Stromnetz unbedingt ab. Wenn Sie den Entsafter vom Stromnetz abtrennen, halten Sie den Netzstecker fest und ziehen Sie ihn aus der Steckdose vorsichtig heraus; ziehen Sie das Netzkabel nicht, da es zu seiner Beschädigung und einem Kurzschluss führen kann.
- Berühren Sie das Gerätegehäuse, das Netzkabel und den Netzstecker mit nassen Händen nicht.
- Aus Kindersicherheitsgründen lassen Sie Plastiktüten, die als Verpackung verwendet werden, nie ohne Aufsicht.

**ACHTUNG!** Lassen Sie Kinder mit Plastiktüten oder Verpackungsfolien nicht spielen. **Erstickungsgefahr!**

- Das Gerät ist nicht für Kinder bestimmt.
- Beaufsichtigen Sie Kinder, damit sie das Gerät als Spielzeug nicht benutzen.
- Lassen Sie Kinder die Arbeitsfläche, das Gerätegehäuse, das Netzkabel oder den Netzstecker während des Gerätebetriebs nicht berühren.
- Besondere Vorsichtsmaßnahmen sind in den Fällen angesagt, wenn sich Kinder oder behinderte Personen während des Gerätebetriebs in der Nähe aufhalten.
- Während des Betriebs und der Pausen zwischen den Betriebszyklen stellen Sie das Gerät an einen für Kinder unzugänglichen Ort auf.
- Dieses Gerät ist für Personen (darunter Kinder) mit Körper-, Nerven- und Geistesstörungen oder Personen ohne ausreichende Erfahrung und Kenntnisse nicht geeignet, wenn sie sich unter Aufsicht der Person, die für ihre Sicherheit verantwortlich ist, nicht befinden oder entsprechende Anweisungen über die Nutzung des Geräts nicht bekommen haben.
- Prüfen Sie die Unversehrtheit des Netzkabels von Zeit zu Zeit.
- Wenn das Netzkabel beschädigt ist, soll es vom Hersteller, vom Kundendienst oder von ähnlich

- qualifiziertem Personal ersetzt werden, um Gefahren zu vermeiden.
- Es ist nicht gestattet, das Gerät selbständig zu reparieren. Es ist nicht gestattet, das Gerät selbständig auseinanderzunehmen; bei der Feststellung jeglicher Beschädigungen, sowie im Sturzfall, trennen Sie es vom Stromnetz ab und wenden Sie sich an einen Kundendienst.
- Um Beschädigungen zu vermeiden, transportieren Sie das Gerät nur in der Fabrikverpackung.
- Bewahren Sie das Gerät an einem trockenen, kühlen und für Kinder und behinderte Personen unzugänglichen Ort auf.

**DAS GERÄT IST NUR FÜR DEN GEBRAUCH IM HAUSHALT GEEIGNET, ES IST VERBOTEN, DAS GERÄT ZU GESCHÄFTS- ODER LABORZWECKEN ZU BENUTZEN.**

## VOR DER ERSTEN NUTZUNG

**Packen Sie das Gerät aus und warten Sie 3 Stunden, bevor Sie es bei einer negativen Temperatur transportieren oder bewahren.**

- Packen Sie das Gerät aus und entfernen Sie alle Verpackungsmaterialien.
- Bewahren Sie die Originalverpackung auf.
- Lesen Sie die Sicherheitsmaßnahmen und Bedienungsempfehlungen durch.
- Prüfen Sie die Komplettheit.

- Prüfen Sie das Gerät auf Beschädigungen; wenn es beschädigt ist, schließen Sie es ans Stromnetz nicht an.
- Vergewissern Sie sich, dass die angegebenen Parameter der Geräteversorgungsspannung und die Stromnetzparameter übereinstimmen. Beim 60-Hz-Stromnetz-Gerätebetrieb sind keine zusätzlichen Maßnahmen erforderlich.
- Nehmen Sie den Entsafter auseinander und reinigen Sie die während des Entsafterbetriebs mit Obst oder Gemüse zu kontaktierenden Teile.
- Entfernen Sie den Stampfer (1) vom Füllrohr (2) des Deckels (3).
- Lassen Sie die Verriegelung (7) herunter und entfernen Sie den Deckel (3).
- Zum leichteren Abnehmen des Reibfilters (4) entfernen Sie das Reibfilter (4) zusammen mit dem Saftsammler (5), indem Sie den Saftsammler (5) festhalten und nach oben heben.
- Waschen Sie gründlich die abnehmbare Teile (1, 3, 4, 5, 9, 10, 11) mit einem neutralen Reinigungsmittel, spülen und trocknen Sie diese ab.

**Anmerkung:** die Oberfläche der Scheibenreibe ist scharf, seien Sie vorsichtig, um Verletzungen zu vermeiden.

- Setzen Sie den Entsafter in umgekehrter Reihenfolge zusammen, stellen Sie den Saftsammler (5) auf die Motoreinheit, setzen Sie das Reibfilter (4) auf, ein typisches Klicken bestätigt richtige Aufstellung des Reibfilters (4), decken Sie ihn mit dem Deckel (3), befestigen Sie den Deckel (3), indem Sie die

Verriegelung (7) anheben, setzen Sie den Stampfer (1) ins Füllrohr (2).

### **NUTZHINWEISE**

- Der Entsafter ist nicht zum Entsaften von Früchten mit einem hohen
- Pektin- oder Stärkegehalt, wie Bananen, Papaya, Feigen, rote und schwarze Johannisbeeren, Avocados usw. bestimmt; Bananen sind fast saftlos, fügen Sie sie nur zum Aromatisieren hinzu.
- Der Entsafter ist nicht zum Bearbeiten von sehr harten und faserigen Nahrungsmitteln wie Kokosnüsse, Quitten, Rhabarber usw. bestimmt.
- Um solches Obst oder Gemüse zu bearbeiten, verwenden Sie andere Küchengeräte.
- Verwenden Sie nur reifes Obst und frisches Gemüse, da sie mehr Saft enthalten.
- Für Saft können verschiedene Früchte (Äpfel, Weintrauben, Ananas usw.) oder Gemüse (Karotten, Rüben, Selleriestangen, Spinat, Gurken, Tomaten usw.) verwendet werden.
- Spülen Sie Obst oder Gemüse gründlich vor dem Entsaften und trocknen Sie diese ab.
- Beeren verlieren schnell ihre Frische, so spülen Sie sie kurz vor dem Entsaften ab.
- Dünnschaliges Obst oder Gemüse müssen nicht unbedingt geschält werden, sondern nur dickschalig wie Ananas oder Rüben.

- Wählen Sie Äpfel nach Ihren Bedürfnissen, berücksichtigen Sie, dass die Saftsättigung von der Apfelsorte abhängt.
- Beim Äpfelensaften können Sie Kerne nicht entfernen.
- Apfelsaft dunkelt schnell, fügen Sie ein paar Tropfen Zitronensaft hinzu, um das Dunkeln zu verlangsamen.
- Trinken Sie den Saft sofort nach dem Entsaften, bei längerer Aufbewahrung an der Luft verliert der Saft seinen Geschmack und Nährwert.
- Wenn Sie den Saft aufbewahren möchten, gießen Sie ihn in einen sauberen Behälter mit luftdichtem Deckel über und bewahren Sie ihn im Kühlschrank auf.
- Es ist nicht empfohlen, den Saft in einem Metallbehälter aufzubewahren, da der Saft einen angemessenen Nachgeschmack bekommen kann.

### **ENTSAFTEN**

#### **ACHTUNG!**

- Die maximal zulässige Dauer eines ununterbrochenen Entsafterbetriebszyklus beträgt nicht mehr als 1 Minute mit einer nachfolgenden Pause von mindestens 1 Minute.
- Vor dem Zusammensetzen des Entsafters prüfen Sie immer das Reibfilter (4) auf mechanische Beschädigungen.
- Verwenden Sie den Entsafter nicht, wenn das Reibfilter (4) mechanisch beschädigt ist.

- Bereiten Sie Obst oder Gemüse vor, waschen Sie sie gründlich, entfernen Sie nicht eßbare Teile von Früchten wie Stielen, schneiden Sie harte Schale von Ananas ab, entfernen Sie Kirsch- oder Pfirsichkerne, schneiden Sie Obst oder Gemüse in Stücke, die ins Füllrohr (2) leicht durchgehen.
- Vergewissern Sie sich, dass der Entsafter richtig zusammengesetzt ist und dass die Verriegelung (7) richtig positioniert ist.
- Stellen Sie den Entsafter auf eine ebene, trockene und standfeste Oberfläche mit einer immer leichtzugänglichen Steckdose auf.
- Vergewissern Sie sich, dass der Betriebsschalter (8) auf «0» ist und dass der Netzstecker an keine Steckdose angeschlossen ist.
- Stellen Sie den Tresterbehälter (10) auf der Rückseite des Entsafters, unter den Deckel (3), auf.
- Stellen Sie den Saftbehälter (9) unter den Saftauslauf (6) auf.
- Stecken Sie den Netzstecker in eine Steckdose ein.
- Schalten Sie den Entsafter ein, indem Sie den Schalter (8) auf «0» – niedrige Geschwindigkeit oder auf «2» – hohe Geschwindigkeit stellen.
- Verwenden Sie die niedrige Geschwindigkeit «1», um Weichfrüchte, Beeren oder Gemüse zu entsaften: - reife Birnen, Apfelsinen, Pflaumen, Weintrauben, Erdbeeren, Tomaten, Gurken usw.
- Verwenden Sie die hohe Geschwindigkeit «2» zum Entsaften von hartem Obst oder Gemüse: - Äpfel, Karotten, Rüben, Kartoffeln, Zucchini, Kürbis, Sellerie usw.

**Anmerkung:** beim ersten Einschalten kann ein charakteristischer Geruch des Elektromotors auftreten, es ist normal, da der Elektromotor einige Zeit zum Einschleifen der Kohlebürsten braucht, und kein Garantiefall.

- Legen Sie Obst oder Gemüse ins Füllrohr (2) nur bei drehendem Reibfilter (4) ein und drücken Sie darauf leicht mit dem Stampfer (1). Es ist nicht empfohlen, auf den Stampfer (1) stark zu drücken, ein starker Druck auf den Stampfer (1) kann das Reibfilter (4) stoppen. Je langsamer Obst oder Gemüse entsaftet werden, desto größer ist die Saftausbeute.
- Während des Betriebs verwenden Sie nur den mitgelieferten Stampfer (1), schieben Sie Obst oder Gemüse mit Ihren Fingern oder anderen Gegenständen ins Füllrohr (2) nicht durch.
- Prüfen Sie regelmäßig das Reibfilter (4) auf Verstopfung mit Trester, schalten Sie gegebenenfalls den Entsafter aus, indem Sie den Betriebsschalter (8) auf «0» stellen, und ziehen Sie der Netzstecker aus der Steckdose heraus.
- Nehmen Sie den Entsafter auseinander und ziehen Sie das Reibfilter (4) heraus, waschen Sie das Reibfilter (4) unter fließendem Wasser und stellen Sie es zurück auf, installieren Sie die entfernten Teile und verwenden Sie den Entsafter weiter.
- Wenn der Saftbehälter (9) gefüllt ist, schalten Sie den Entsafter aus und gießen Sie den Saft in einen geeigneten Behälter ab.
- Beachten Sie den Füllstand des Tresterbehälters (10), wenn der Behälter (10) mit Trester gefüllt ist, schalten Sie



den Entsafter aus und entfernen Sie Trester aus dem Behälter (10).

**Anmerkung:** zur bequemen Tresterentfernung ist es empfohlen, einen größgeigneten Beutel in den Behälter (10) einzustecken und Trester zusammen mit dem Beutel zu entfernen.

- Schalten Sie den Entsafter nach dem Gebrauch aus, indem Sie den Betriebsschalter (8) auf «0» stellen, ziehen Sie den Netzstecker aus der Steckdose heraus.

### ÜBERHITZUNGSSCHUTZ

- Wird die Betriebstemperatur des Elektromotors überschritten, spricht der Überhitzungsschutz an, und der Entsafter wird ausgeschaltet.
- Wenn der Entsafter während des Betriebs spontan ausgeschaltet wird, stellen Sie den Betriebsschalter (8) auf «0» und ziehen Sie der Netzstecker aus der Steckdose heraus.
- Abhängig von der Raumtemperatur kann die Abkühlzeit des Elektromotors zwischen 20 und 50 Minuten betragen, nachdem der Elektromotor abkühlt, stecken Sie der Netzstecker in eine Steckdose ein und schalten Sie den Entsafter ein, indem Sie den Betriebsschalter (8) auf «1» oder «2» stellen.
- Wenn der Entsafter nicht eingeschaltet wird, warten Sie noch einige Zeit, bei keinen Änderungen kann es

auf eine andere Störung hindeuten, wenden Sie sich in diesem Fall an einen autorisierten Kundendienst.

- Befolgen Sie die empfohlene Entsafter-Betriebszeit.

### REINIGUNG UND PFLEGE

- Reinigen Sie den Entsafter nach jedem Gebrauch.
- Schalten Sie den Entsafter vor dem Reinigen aus und ziehen Sie den Netzstecker aus der Steckdose heraus.
- Tauchen Sie die Motoreinheit, das Netzkabel und den Netzstecker ins Wasser oder jegliche andere Flüssigkeiten nicht ein.
- Entfernen Sie den Stampfer (1) vom Füllrohr (2) des Deckels (3).
- Lassen Sie die Verriegelung (7) herunter und entfernen Sie den Deckel (3).
- Zum leichteren Abnehmen des Reibfilters (4) entfernen Sie es zusammen mit dem Saftsammler (5), halten Sie den Saftsammler (5) fest und heben Sie ihn nach oben.
- Waschen Sie die abgenommenen Teile, den Saftbehälter (9) und den Tresterbehälter (10) mit Warmwasser und einem neutralen Reinigungsmittel, spülen und trocknen Sie diese ab.
- Seien Sie beim Spülen des Reibfilters (4) vorsichtig, die Oberfläche der Scheibenreibe ist scharf.
- Spülen Sie die Öffnungen des Reibfilters (4) von außen mit einer Bürste (11).
- Spülen Sie die abnehmbaren Teile des Entsafters in keiner Geschirrspülmaschine ab.

- Wischen Sie die Motoreinheit mit einem leicht angefeuchteten Tuch, dann trocknen Sie sie ab.
- Verwenden Sie keine harten Schwämme, Scheuer- oder Lösungsmittel, um den Entsafter zu reinigen.
- Obst und Gemüse mit färbenden Eigenschaften wie Brombeeren, Karotten oder Rüben können die Teile des Entsafters färben. In diesem Fall können Sie ein trockenes, mit Pflanzenöl angefeuchtetes Tuch verwenden. Waschen Sie die Teile nach dem Reinigen mit Warmwasser und einem milden Reinigungsmittel, dann spülen und trocknen Sie sie ab.

### AUFBEWAHRUNG

- Reinigen Sie den Entsafter, bevor Sie ihn zur Aufbewahrung wegnehmen.
- Bewahren Sie den Entsafter an einem trockenen, kühlen und für Kinder und behinderte Personen unzugänglichen Ort auf.

### LIEFERUMFANG

- Entsafter – 1 Stk.
- Bedienungsanleitung – 1 Stk.

### TECHNISCHE EIGENSCHAFTEN

- Stromversorgung: 220-240 V ~ 50-60 Hz
- Nennleistungsaufnahme: 500 W
- Füllrohrdurchmesser – 65 mm
- Saftbehälter-Fassungsvermögen – 0,5 l
- Tresterbehälter-Fassungsvermögen – 1,6 l

### Bevor an einen autorisierten Kundendienst zu wenden.

Störung	Behebung
Ein unangenehmer Geruch beim ersten Einschalten des Entsafters.	Es ist normal, da der Elektromotor einige Zeit zum Einschleifen der Kohlebürsten braucht.
Entsafter lässt sich nicht einschalten	<ol style="list-style-type: none"> <li>1. Prüfen Sie, ob der Entsafter richtig zusammengesetzt ist, und vergewissern Sie sich, dass die Verriegelung richtig positioniert ist.</li> <li>2. Prüfen Sie die Spannung in der Steckdose, schließen Sie dazu ein genau funktionierendes Elektrogerät an die Steckdose an.</li> <li>3. Der Überhitzungsschutz hat ausgelöst, schalten Sie den Entsafter aus, ziehen Sie der Netzstecker aus der Steckdose heraus, warten Sie 20-50 Minuten ab und schalten Sie dann den Entsafter ein.</li> </ol>
Saftausbeute ist stark gesunken	<p>Das Reibfilter-Gitter ist verstopft:</p> <ul style="list-style-type: none"> <li>- schalten Sie den Entsafter aus, ziehen Sie den Netzstecker aus der Steckdose heraus;</li> <li>- nehmen Sie den Entsafter auseinander und ziehen Sie das Reibfilter heraus;</li> <li>- reinigen und spülen Sie das Reibfilter-Gitter.</li> </ul>

<p>Entsafter vibriert stark während des Betriebs.</p>	<p>1. Trester können an einer Seite des Reibfilters klebenbleiben:</p> <ul style="list-style-type: none"> <li>- schalten Sie den Entsafter aus, ziehen Sie den Netzstecker aus der Steckdose heraus;</li> <li>- nehmen Sie den Entsafter auseinander und ziehen Sie das Reibfilter heraus;</li> <li>- reinigen und spülen Sie das Reibfilter-Gitter.</li> </ul> <p>2. Das Reibfilter ist mechanisch beschädigt:</p> <ul style="list-style-type: none"> <li>- prüfen Sie das Reibfilter; verwenden Sie den Entsafter bei mechanischen Beschädigungen nicht;</li> <li>- ersetzen Sie das Reibfilter.</li> </ul>
<p>Entsafter wird mit einem starken Geräusch oder einem unangenehmen Geruch betrieben, er wird sehr heiß, Rauch tritt auf usw.</p>	<p>Verwenden Sie den Entsafter nicht mehr, trennen Sie ihn vom Stromnetz ab und wenden Sie sich zur Prüfung oder Reparatur an einen autorisierten Kundendienst.</p>

## ENTSORGUNG



Um ein mögliches Schaden für die Umwelt oder die menschliche Gesundheit durch unkontrollierte Abfallentsorgung zu vermeiden, werfen Sie das Gerät und die Batterien (falls mitgeliefert) nach Beendigung ihrer Nutzungsdauer zusammen mit gewöhnlichen

Haushaltsabfällen nicht weg, geben Sie das Gerät und die Batterien in die Spezialpunkte für weitere Entsorgung über.

Die bei der Entsorgung der Erzeugnisse entstehenden Abfälle sind unbedingt zu sammeln und weiter ordnungsmäßig zu entsorgen.

Mehrere Information zur Entsorgung dieses Lebensmittels erhalten Sie bei Ihrer lokalen Stadtverwaltung, einem Abfallentsorgungsdienst oder beim Geschäft, wo Sie dieses Lebensmittel gekauft haben.

Der Hersteller behält sich das Recht vor, das Design, die Konstruktion und die das gemeine Gerätebetriebsprinzip nicht beeinflussende technische Eigenschaften ohne Vorbenachrichtigung zu verändern.

**Die Gerätenutzungsdauer beträgt 3 Jahre**

**Das Herstellungsdatum ist in der Fabrikationsnummer angegeben.**

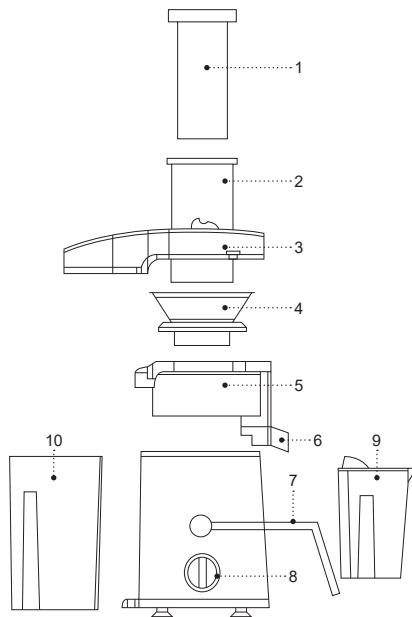
**Bei Störungsfeststellung wenden Sie sich baldigst an einen autorisierten Kundendienst.**

## СОКОВЫЖИМАЛКА BR1707

Используйте электрическую соковыжималку для приготовления свежего сока из фруктов или овощей.

### ОПИСАНИЕ

1. Толкатель
2. Загрузочная горловина
3. Крышка
4. Фильтр-тёрка
5. Сокоборник
6. Носик слива сока
7. Фиксатор
8. Переключатель режимов работы
9. Ёмкость для сбора сока
10. Контейнер для отжимок



## МЕРЫ БЕЗОПАСНОСТИ И РЕКОМЕНДАЦИИ ПО ЭКСПЛУАТАЦИИ

Перед использованием соковыжималки внимательно ознакомьтесь с руководством по эксплуатации, после прочтения сохраните его для использования в будущем.

**ВНИМАНИЕ!** Максимально допустимое время непрерывного цикла работы соковыжималки составляет не более 1 минуты с последующим перерывом не менее 1 минуты.

- Используйте соковыжималку только по её прямому назначению, как изложено в данной инструкции.
- Неправильное обращение с соковыжималкой может привести к её поломке, причинению вреда пользователю или его имуществу и не является гарантийным случаем.
- Убедитесь, что рабочее напряжение устройства, указанное на этикетке, соответствует напряжению электросети.
- Запрещается подключать устройство к внешним таймерам или к электрическим розеткам с дистанционным управлением.
- Устанавливайте и используйте соковыжималку на ровной, сухой, устойчивой поверхности так, чтобы доступ к электрической розетке всегда был свободным.
- Запрещается использовать устройство вне помещений.

- Не рекомендуется использовать устройство во время грозы.
- Оберегайте соковыжималку от ударов, падений, вибраций и иных механических воздействий.
- Не оставляйте устройство, включённое в сеть, без присмотра.
- Не используйте устройство в непосредственной близости от нагревательных приборов, источников тепла или открытого пламени.
- Запрещается использовать соковыжималку в местах, где используются или распыляются аэрозоли, а также вблизи от легковоспламеняющихся жидкостей.
- Не используйте соковыжималку вблизи от кухонной раковины, ванных комнатах, около бассейнов или других ёмкостей, наполненных водой.
- Если соковыжималка упала в воду, немедленно выньте вилку шнура питания из электрической розетки, и только после этого можно достать устройство из воды. Обратитесь в сервисный центр для осмотра или ремонта устройства.
- Не допускайте, чтобы шнур питания касался горячих поверхностей и острых кромок мебели.
- Используйте только те детали соковыжималки, которые входят в комплект поставки.
- Соковыжималка не предназначена для измельчения или смешивания продуктов.
- Запрещается пользоваться соковыжималкой без контейнера для сбора отжимок.

- Соблюдайте осторожность, при установке и снятии фильтра-тёрки, поверхность дисковой тёрки острая.
- Всегда проверяйте на предмет механических повреждений фильтр-тёрку, если вы обнаружите механические повреждения, не устанавливайте фильтр-тёрку и не используйте соковыжималку, до тех пор, пока не замените фильтр-тёрку.
- Во время работы пользуйтесь только толкателем, входящим в комплект поставки, запрещается проталкивать фрукты или овощи в загрузочную горловину пальцами или любыми другими предметами.
- Не наклоняйтесь над открытой загрузочной горловиной при включённой соковыжималке, кусочки фруктов или овощей могут вылететь из горловины и нанести травму пользователю.
- Запрещается разбирать соковыжималку, если вилка шнура питания вставлена в электрическую розетку.
- Отключайте устройство от электросети после использования или перед чисткой. При отключении соковыжималки от электрической сети держитесь за вилку шнура питания и аккуратно выньте её из электрической розетки, не тяните за шнур питания — это может привести к его повреждению и вызвать короткое замыкание.
- Не прикасайтесь к корпусу устройства, к шнуру питания и к вилке шнура питания мокрыми руками.
- Из соображений безопасности детей не оставляйте полиэтиленовые пакеты, используемые в качестве упаковки, без надзора.

**ВНИМАНИЕ!** Не разрешайте детям играть с полиэтиленовыми пакетами или упаковочной плёнкой.  
**Опасность удушья!**

- Устройство не предназначено для использования детьми.
- Осуществляйте надзор за детьми, чтобы не допустить использования устройства в качестве игрушки.
- Не разрешайте детям прикасаться к корпусу устройства, к шнуру питания или к вилке шнура питания во время работы устройства.
- Будьте особенно внимательны, если поблизости от работающего устройства находятся дети или лица с ограниченными возможностями.
- Во время работы и в перерывах между рабочими циклами размещайте устройство в местах, недоступных для детей.
- Прибор не предназначен для использования лицами (включая детей) с пониженными физическими, психическими, сенсорными или умственными способностями, или при отсутствии у них опыта или знаний, если они не находятся под контролем или не проинструктированы лицом, ответственным за их безопасность, об использовании прибора.
- Периодически проверяйте целостность шнура питания.

- При повреждении шнура питания его замену, во избежание опасности, должны производить изготовитель, сервисная служба или подобный квалифицированный персонал.
- Запрещается самостоятельно ремонтировать устройство. Не разбирайте устройство самостоятельно, при возникновении любых неисправностей, а также после падения устройства отключите его от электросети и обратитесь в авторизованный сервисный центр.
- Во избежание повреждений перевозите устройство в заводской упаковке.
- Храните устройство в сухом прохладном месте, недоступном для детей и людей с ограниченными возможностями.

**УСТРОЙСТВО ПРЕДНАЗНАЧЕНО ТОЛЬКО ДЛЯ БЫТОВОГО ИСПОЛЬЗОВАНИЯ, ЗАПРЕЩАЕТСЯ ИСПОЛЬЗОВАТЬ УСТРОЙСТВО В КОММЕРЧЕСКИХ ИЛИ ЛАБОРАТОРНЫХ ЦЕЛЯХ.**

## **ПЕРЕД ПЕРВЫМ ИСПОЛЬЗОВАНИЕМ**

**После транспортировки или хранения устройства при отрицательной температуре распакуйте его и подождите 3 часа перед использованием.**

- Распакуйте устройство и удалите все упаковочные материалы.
- Сохраните заводскую упаковку.

- Ознакомьтесь с мерами безопасности и рекомендациями по эксплуатации.
  - Проверьте комплектацию.
  - Осмотрите устройство на наличие повреждений, при наличии повреждений не включайте его в сеть.
  - Убедитесь, что указанные параметры напряжения питания устройства соответствуют параметрам электрической сети. При использовании устройства в электрической сети частотой 60 Гц, никаких дополнительных действий не требуется.
  - Разберите соковыжималку и промойте детали, которые будут контактировать с фруктами или овощами при работе соковыжималки.
  - Выньте толкатель (1) из загрузочной горловины (2) крышки (3).
  - Опустите фиксатор (7) и снимите крышку (3).
  - Для облегчения снятия фильтра-тёрки (4) снимайте фильтр-тёрку (4) вместе с сокосборником (5), держась за сокосборник (5) и подняв его по направлению вверх.
  - Тщательно промойте съёмные детали (1, 3, 4, 5, 9, 10, 11), с нейтральным моющим средством, ополосните и просушите.
- Примечание:** поверхность дисковой тёрки острая соблюдайте осторожность, во избежание получения травм.
- Соберите соковыжималку в обратной последовательности, установите на моторный блок

сокоборник (5), установите фильтра-тёрку (4), характерный щелчок подтверждает правильность установки фильтра-тёрки (4), накройте крышкой (3), зафиксируйте крышку (3), подняв фиксатор (7), вставьте в загрузочную горловину (2) толкатель (1).

### ПОЛЕЗНЫЕ СОВЕТЫ

- Соковыжималка не предназначена для отжима сока из фруктов с высоким содержанием пектина или крахмала, например, бананы, папайя, инжир, красная и черная смородина, авокадо и т.п., в бананах сок практически отсутствует, добавляйте их только для аромата.
- Соковыжималка не предназначена для переработки очень твердых и волокнистых продуктов, например, кокос, айва, ревень и т.п.
- Для переработки подобных фруктов или овощей, пользуйтесь другими видами кухонной техники.
- Используйте только спелые фрукты и свежие овощи, так как в них содержится больше сока.
- Для сока можно использовать различные фрукты (яблоки, виноград, ананасы и т.п.) или овощи (морковь, свёклу, стебли сельдерея, шпинат, огурцы, помидоры и т.п.).
- Перед отжимом сока, тщательно промойте фрукты или овощи и просушите их.
- Ягоды быстро теряют свежесть, мойте ягоды непосредственно перед отжимом сока.

- Срезать тонкую кожуру с фруктов или овощей не обязательно, срежьте только толстую кожуру, например, с ананасов или свёклы.
- Выбирайте сорт яблок, отвечающий вашим требованиям, помните, что насыщенность сока зависит от сорта яблок.
- При отжиме яблочного сока, сердцевину яблока можно не вырезать.
- Яблочный сок быстро темнеет, добавьте несколько капель лимонного сока, процесс потемнения яблочного сока замедлится.
- Употребляйте сок сразу после его отжима, при длительном хранении на воздухе, сок теряет свои вкусовые качества и пищевую ценность.
- Если вы планируете хранить сок, перелейте его в чистую ёмкость с герметичной крышкой и храните в холодильнике.
- Не рекомендуется хранить сок в металлической ёмкости, сок может приобрести соответствующий привкус.

### ПРИГОТОВЛЕНИЕ СОКА

#### ВНИМАНИЕ!

- Максимально допустимое время непрерывного цикла работы соковыжималки составляет не более 1 минуты с последующим перерывом не менее 1 минуты.
- Перед сборкой соковыжималки всегда проверяйте фильтр-тёрку (4) на предмет механических повреждений.



- Запрещается использовать соковыжималку при наличии механических повреждений фильтра-тёрки (4).
  - Подготовьте фрукты или овощи, тщательно промойте их, удалите несъедобные части у фруктов, такие как плодоножки, срежьте с ананаса твёрдую кожуру, удалите вишнёвые или персиковые косточки, порежьте фрукты или овощи на кусочки, которые легко проходят в загрузочную горловину (2).
  - Убедитесь в правильности сборки соковыжималки и правильном положении фиксатора (7).
  - Установите соковыжималку на ровную, сухую и устойчивую поверхность, так, чтобы доступ к электрической розетке всегда был свободным.
  - Убедитесь, что переключатель режимов работы (8) установлен в положение «0», а вилка шнура питания не вставлена в электрическую розетку.
  - С задней стороны соковыжималки, под крышку (3), установите контейнер для сбора отжимок (10).
  - Установите под носик для слива сока (6) ёмкость для сбора сока (9).
  - Вставьте вилку шнура питания в электрическую розетку.
  - Включите соковыжималку, установив переключатель (8) в положение «1» - низкая скорость, или положение «2» - высокая скорость.
  - Используйте низкую скорость «1» для отжима сока из мягких фруктов, ягод или овощей: - спелые груши, апельсины, сливы, ананасы, виноград, клубника, томаты, огурцы и т.п.
  - Используйте высокую скорость «2» для отжима сока из твёрдых фруктов или овощей: - яблоки, морковь, свёкла, картофель, кабачки, тыква, сельдерей и т.п.
- Примечание:** при первом включении возможно появление характерного запаха от электромотора, это нормальное явление, поскольку электромотору необходимо некоторое время для притирки угольных щеток и не является гарантийным случаем.
- Опускайте фрукты или овощи в загрузочную горловину (2), только во время вращения фильтра-тёрки (4) и слегка надавливайте на них толкателем (1). Не рекомендуется сильно нажимать на толкатель (1), сильное нажатие на толкатель (1) может привести к остановке вращения фильтра-тёрки (4). Чем медленнее происходит измельчение фруктов или овощей, тем больше выход сока.
  - Во время работы пользуйтесь только толкателем (1), входящим в комплект поставки, запрещается проталкивать фрукты или овощи в загрузочную горловину (2) пальцами или любыми другими предметами.
  - Периодически проверяйте состояние фильтра-тёрки (4) на предмет засорения мякотью, при необходимости, выключите соковыжималку, установив переключите режимов работы (8) в положение «0» и выньте вилку шнура питания из электрической розетки.

- Разберите соковыжималку и выньте фильтр-тёрку (4), промойте фильтр-тёрку (4) под проточной водой и установите на место, установите снятые детали и продолжайте использование соковыжималки.
- По мере наполнения ёмкости для сока (9), выключите соковыжималку и слейте сок в подходящую ёмкость.
- Следите за наполнением контейнера для сбора отжимок (10), если контейнер (10)
- наполнился отжимками, выключите соковыжималку и удалите отжимки из контейнера (10).

**Примечание:** для удобства удаления отжимок, рекомендуется в контейнер (10) вставить подходящий по размеру пакет и удалять отжимки вместе с пакетом.

- После использования соковыжималки выключите её, установив переключатель режимов работы (8) в положение «0», выньте вилку шнура питания из электрической розетки.

### ЗАЩИТА ОТ ПЕРЕГРЕВА

- При превышении рабочей температуры электромотора, срабатывает защита от перегрева, и соковыжималка выключится.
- Если во время работы, соковыжималка самопроизвольно выключится, установите переключатель режимов работы (8) в положение «0», выньте вилку шнура питания из электрической розетки.
- В зависимости от температуры в помещении время остывания электромотора может быть в пределах

от 20-50 минут, после остывания электромотора, вставьте вилку шнура питания в электрическую розетку и включите соковыжималку, установив переключатель режимов работы (8) в положение «1» или «2».

- Если соковыжималка не включилась, подождите ещё некоторое время, если изменений не произошло, это может означать о другом дефекте, в этом случае обратитесь авторизованный сервисный центр.
- Следите за рекомендованным временем работы соковыжималки.

### ЧИСТКА И УХОД

- Производите чистку соковыжималки после каждого её использования.
- Перед чисткой выключите соковыжималку и выньте вилку шнура питания из электрической розетки.
- Запрещается погружать моторный блок, шнур питания и вилку шнура питания в воду или любую другую жидкость.
- Выньте толкатель (1) из загрузочной горловины (2) крышки (3).
- Опустите фиксатор (7) и снимите крышку (3).
- Для облегчения снятия фильтра-тёрки (4) снимайте её вместе сососборником (5), держитесь за сокосборник (5) и поднимите его по направлению вверх.
- Промойте снятые детали, ёмкость для сбора сока (9), контейнер для сбора отжимок (10) тёплой

водой с нейтральным моющим средством, ополосните и просушите.

- Соблюдайте осторожность при промывке фильтра-тёрки (4), поверхность дисковой тёрки острая.
- Промывайте отверстия фильтра-терки (4) с наружной стороны, используя щетку (11).
- Запрещается использовать посудомоечную машину для промывки съёмных деталей соковыжималки.
- Моторный блок протрите слегка влажной тканью, после чего протрите насухо.
- Запрещается использовать для чистки соковыжималки жёсткие губки, абразивные чистящие средства или растворители.
- Фрукты и овощи с красящими свойствами, например, ежевика, морковь или свёкла, могут окрасить детали соковыжималки, в этом случае можно использовать сухую ткань, смоченную в растительном масле, после очистки деталей промойте их тёплой водой с мягким моющим средством, ополосните и просушите.

## ХРАНИЕНИЕ

- Перед тем, как убрать соковыжималку на хранение проведите её чистку.
- Храните соковыжималку в сухом прохладном месте, недоступном для детей и людей с ограниченными возможностями.

## КОМПЛЕКТАЦИЯ

- Соковыжималка — 1 шт.
- Инструкция — 1 шт.

## ТЕХНИЧЕСКИЕ ХАРАКТЕРИСТИКИ

- Электропитание: 220-240 В, ~ 50-60 Гц
- Номинальная потребляемая мощность: 500 Вт
- Диаметр загрузочного отверстия – 65 мм
- Объём ёмкости для сбора сока – 0,5 л
- Объём контейнера для отжимок – 1,6 л

**Прежде, чем обратиться в авторизованный сервисный центр.**

Неисправность	Методы устранения
При первом включении соковыжималки появился неприятный запах.	Это нормальное явление, поскольку электромотору необходимо некоторое время для притирки угольных щеток.
Соковыжималка не включается	<ol style="list-style-type: none"> <li>1. Проверьте правильность сборки соковыжималки, убедитесь, что фиксатор находится в правильном положении.</li> <li>2. Проверьте наличие напряжения в электрической розетке, для этого включите заведомо рабочий электроприбор в электрическую розетку.</li> <li>3. Сработала защита от перегрева, выключите соковыжималку, выньте вилку шнура питания из электрической розетки, подождите 20-50 минут, после этого включите соковыжималку.</li> </ol>

Количество сока резко уменьшилось	<p>Забилась сетка фильтра-терки:</p> <ul style="list-style-type: none"> <li>- выключите соковыжималку, выньте вилку шнура питания из электрической розетки;</li> <li>- разберите соковыжималку и выньте фильтр-терку;</li> <li>- очистите и промойте сетку фильтра-терки.</li> </ul>
Во время работы соковыжималка сильно вибрирует.	<p>1. Возможно налипание отжимок на одной стороне фильтра-терки:</p> <ul style="list-style-type: none"> <li>- выключите соковыжималку, выньте вилку шнура питания из электрической розетки;</li> <li>- разберите соковыжималку и выньте фильтр-терку;</li> <li>- очистите и промойте сетку фильтра-терки.</li> </ul> <p>2. Механическое повреждение фильтра-терки:</p> <ul style="list-style-type: none"> <li>- осмотрите фильтр-терку, при наличии механических повреждений не используйте соковыжималку;</li> <li>- замените фильтр-терку.</li> </ul>
Работа соковыжималки сопровождается сильным шумом, чувствуется неприятный запах, она сильно нагревается, появился дым и т.п.	<p>Прекратите использование соковыжималки, отключите ее от сети и обратитесь в авторизованный сервисный центр для проведения осмотра или ремонта.</p>

## УТИЛИЗАЦИЯ



Чтобы предотвратить возможный вред окружающей среде или здоровью людей от неконтролируемой утилизации отходов, после окончания срока службы устройства или элементов питания (если входят в комплект), не выбрасывайте их вместе с обычными бытовыми отходами, передайте прибор и элементы питания в специализированные пункты для дальнейшей утилизации.

Отходы, образующиеся при утилизации изделий, подлежат обязательному сбору с последующей утилизацией в установленном порядке.

Для получения дополнительной информации об утилизации данного продукта обратитесь в местный муниципалитет, службу утилизации бытовых отходов или в магазин, где Вы приобрели данный продукт.

Производитель сохраняет за собой право изменять дизайн, конструкцию и технические характеристики, не влияющие на общие принципы работы устройства, без предварительного уведомления.

**Срок службы устройства — 3 года**

**Дата производства указана в серийном номере.**

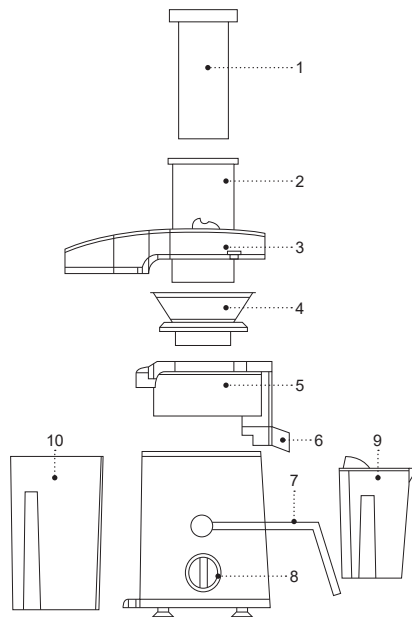
**В случае обнаружения каких-либо неисправностей необходимо обратиться в авторизованный сервисный центр.**

## ШЫРЫНСЫҚҚЫШ BR1707

Жемістерден немесе көкөністерден балғын шырын жасау үшін электр шырынсыққышты қолданыңыз.

### СИПАТТАМАСЫ

1. Итергіш
2. Жүктеу мойыны
3. Қақпағы
4. Сүзгі-үккіш
5. Шырын жинағыш
6. Шырын ағызу шүмегі
7. Бекіткіш
8. Жұмыс режимдерінің ауыстырғышы
9. Шырын жинауға арналған сыйымдылық
10. Сығындыларға арналған контейнер



## ҚАУІПСІЗДІК ШАРАЛАРЫ ЖӘНЕ ПАЙДАЛА- НУ БОЙЫНША НҰСҚАУЛЫҚТАР

**Шырынсыққыш пайдалану алдында пайдалану жөніндегі нұсқаулықты мұқият оқып шығыңыз, оқыған соң, болашақта пайдалану үшін сақтап қойыңыз.**

### НАЗАР АУДАРЫҢЫЗ!

Шырынсыққыш жұмысының үздіксіз циклінің рұқсат етілген максималды уақыты 1 минуттан аспайды, одан кейін 1 минуттан кем емес үзіліс жасалады.

- Шырынсыққыш осы нұсқаулықта баяндалғандай, тікелей мақсаты бойынша ғана пайдаланыңыз.
- Шырынсыққыш дұрыс қолданбау оның бұзылуына, және пайдаланушыға немесе оның мүлкіне зиян келтіруге әкеп соғуы мүмкін және кепілдік жағдайы болып табылмайды.
- Заттаңбада көрсетілген құрылғының жұмыс кернеуі, электр желісінің кернеуіне сәйкес екеніне көз жеткізіңіз.
- Құрылғыны сыртқы таймерлерге немесе қашықтықтан басқарылатын электр розеткаларға қосуға тыйым салынады.
- Шырынсыққыш желі розеткасына кіру ерқашан бос болатындай етіп тегіс, құрғақ, орнықты, бетке орнатыңыз және пайдаланыңыз.
- Құрылғыны үй-жайдан тыс жерде пайдалануға тыйым салынады.

- Найзағай кезінде құрылғыны пайдалану ұсынылмайды.
- Шырынсыққыш соққыдан, құлаудан, дірілден және басқа да механикалық әсерлерден сақтаңыз.
- Желіге қосылған құрылғыны, қараусыз қалдырмаңыз.
- Құрылғыны жылу көздерінің, жылыту аспаптарының немесе ашық оттың тікелей жанында пайдаланбаңыз.
- Шырынсыққыш аэрозольдар пайдаланылатын немесе шашырайтын жерлерде, сондай-ақ тез тұтанатын сұйықтықтарға жақын жерлерде пайдалануға тыйым салынады.
- Шырынсыққыш ас үй раковинасына жақын, жуынатын бөлмеде, бассейндер немесе басқа да су толтырылған сыйымдылықтарға жақын жерде пайдаланбаңыз.
- Шырынсыққыш суға құлап кеткен жағдайда, дереу желі бауының ашасын электр розеткасынан сурыңыз, содан кейін ғана құрылғыны судан алып шығуға болады. Құралды тексерту немесе жөндету үшін рұқсаты бар сервис орталығына хабарласыңыз.
- Қуаттандыру бауының ыстық беттерге және жиһаздың өткір жиектеріне тиюін болдырмаңыз.
- Шырынсыққыш жеткізу жиынтығына кіретін бөлшектерін ғана қолданыңыз.
- Шырынсыққыш өнімдерді ұсақтауға немесе араластыруға арналмаған.
- Сығындыларды жинауға арналған контейнерсіз шырынсыққышты пайдалануға тыйым салынады.

- Сүзгі-үккішті орнату және шешіп алу кезінде сақ болыңыз, дискілі
- үккіштің беті өткір.
- Сүзгі-үккіштің механикалық зақымдануын әрдайым тексеріп отырыңыз, егер сіз механикалық зақымдануды байқасаңыз, сүзгі-үккішті орнатпаңыз және сүзгі-үккішті алмастырғанша шырынсыққышты пайдаланбаңыз.
- Жұмыс кезінде тек жеткізу жиынтығына кіретін итергішті қолданыңыз, жемістер мен көкөністерді саусақтарыңызбен немесе кез-келген басқа заттармен жүктеу мойнына итеруге тыйым салынады.
- Шырынсыққыш қосылып тұрған кезде ашық жүктеу мойныны үстіне еңкейменіз, жемістердің немесе көкөніс кесектері мойыннан ұшып шығып, қолданушыны жарақаттауы мүмкін.
- Егер қуат бауының ашасы электр розеткасына салынып тұрса, шырынсыққышты бөлшектеуге тыйым салынады.
- Құрылғыны пайдаланып болғаннан кейін немесе тазалау алдында міндетті түрде сөндіріңіз. Шырынсыққыш электр желісінен ажыратқан кезде тек желі бауының ашасынан ұстаңыз және оны электр розеткасынан абайлап шығарыңыз, желі бауынан тартпаңыз — бұл оның зақымдануына әкеліп, қысқа тұйықталуын тудыруы мүмкін.
- Құрылғы корпусын, желі бауын және желі бауының ашасын су қолмен ұстамаңыз.
- Балалардың қауіпсіздігі үшін қаптама ретінде пайдаланылатын полиэтилен пакеттерді қадағалаусыз қалдырмаңыз.

**Назар аударыңыз!** Балаларға полиэтилен пакеттерімен немесе қаптама үлдірімен ойнауға рұқсат етпеңіз. **Тұншығу қаупі!**

- Құрылғы балалардың пайдалануына арналмаған.
- Құрылғыны ойыншық ретінде пайдалануын болдырмау үшін, балаларды қадағалаңыз.
- Құрылғы жұмыс істеп тұрғанда балалар жұмыс бетіне, құрылғы корпусына, желі бауына немесе желі бауының ашасына жақындауына рұқсат бермеңіз.
- Егер жұмыс істеп тұрған құрылғының маңында балалар немесе мүмкіндіктері шектеулі адамдар болса, онда ерекше мұқият болыңыз.
- Жұмыс істеу уақытында және жұмыс циклдері арасындағы үзілістерде құрылғыны балалардың қолы жетпейтін жерде орналастырыңыз.
- Аспап дене, жүйке немесе сана мүмкіндіктері төмендетілген тұлғалардың (балаларды қоса) пайдалануына арналмаған, сондай-ақ егер олардың тәжірибесі немесе білімі болмаса, егер олар бақыланбаса немесе олардың қауіпсіздігі үшін жауап беретін тұлғамен аспапты пайдалану туралы нұсқаулықтар берілмесе.
- Желі бауының бүтіндігін мезгілімен тексеріп отырыңыз.
- Қуаттандыру бауы зақымданғанда қауіп тудырмау үшін оны дайындаушы, сервистік қызмет немесе баламалы білікті маман ауыстыруы тиіс.

- Құрылғыны өздігіңізден жөндеуге тыйым салынады. Құрылғыны өз бетіңізбен бөлшектемеңіз, кез- келген ақаулықтар пайда болған кезде, сондай-ақ құрылғы құлағаннан кейін оны электр желісінен ажыратыңыз және авторланған сервистік орталыққа жүгініңіз.
- Құрылғыны зақымдамау үшін, оны тек зауыт қаптамасында тасымалдаңыз.
- Құрылғыны салқын және құрғақ жерде, балалардың және мүмкіндігі шектеулі адамдардың қолы жетпейтін жерде сақтаңыз.

### **ҚҰРЫЛҒЫ ТЕК ТҰРМЫСТЫҚ ПАЙДАЛАНУҒА ҒАНА АРНАЛҒАН, ҚҰРЫЛҒЫНЫ КОММЕРЦИЯЛЫҚ НЕМЕСЕ ЗЕРТХАНАЛЫҚ МАҚСАТТАРДА ПАЙДАЛАНУҒА ТЫЙЫМ САЛЫНАДЫ.**

### **АЛҒАШ РЕТ ПАЙДАЛУ АЛДЫНДА**

**Құралды кері температурада тасымалдағаннан немесе сақтағаннан кейін оны қаптамадан шығарыңыз және пайдалану алдында 3 сағат күтіңіз.**

- Құралды қаптамадан шығарыңыз және барлық қаптама материалдарын жойыңыз.
- Зауыт қаптамасын сақтаңыз.
- Қауіпсіздік шаралары мен пайдалану нұсқауларымен танысыңыз.
- Жинақталымын тексеріңіз.
- Құралды зақымдануына қатысты байқаңыз зақымдануы болған жағдайда оны желіге қоспаңыз.
- Құралдың көрсетілген қуаттандыру көрнеуі параметрлері электр желісінің параметрлеріне сәйкес

келетініне көз жеткізіңіз. Құрылғыны 60 Гц жиіліктегі электр желісінде пайдаланғанда, ешқандай қосымша әрекет қажет емес.

- Шырынсыққышты бөлшектеніз және шырынсыққышты пайдалану кезінде жемістермен немесе көкөністермен жанасатын бөлшектерді жуып жіберіңіз.
- Итергішті (1) қақпақтың (3) жүктеу мойнынан (2) шығарып алыңыз.
- Бекітішті (7) босатыңыз және қақпақты (3) шешіп алыңыз.
- Сүзгі-үккішті (4) шешіп алуды жеңілдету үшін сүзгі-үккішті (4) шырын жинағышпен (5) бірге шешіп алыңыз, ол үшін шырын жинағыштан (5) ұстаңыз және оны жоғары қарай көтеріңіз.
- Алынатын бөлшектерді жақсылап бейтарап жуғыш затпен жуып жіберіңіз (1, 3, 4, 5, 9, 10, 11), шайыңыз және құрғатыңыз.

**Ескертпе:** дискілі үгіткішінің беті өткір жарақат алуды болдырмау үшін абайлық сақтаңыз.

- Шырынсыққышты кері ретпен жинаңыз, мотор блогына шырын жинағышты (5) орнатыңыз, сүзгі-үккішті (4) орнатыңыз, ерекше шертіліс сүзгі-үккіштің (4) дұрыс орнатылғанын растайды, қақпақты (3) жабыңыз, қақпақты (3) бекітіңіз, бекітішті (7) көтеріңіз, жүктеу мойнына (2) итергішті (1) салыңыз.

### **ПАЙДАЛЫ КЕҢЕСТЕР**

- Шырынсыққыш құрамында пектин немесе крахмалы көп жемістерден



- мысалы, банан, папайя, інжір, қызыл және қара қарақат, авокадо және т. б. осы сияқтылардан шырын сығуға арналмаған, банандарда шырын мүлдем жоқ, оларды тек хош иіс үшін қосыңыз.
- Шырынсыққыш өте қатты және талшықты өнімдерді өңдеуге арналмаған, мысалы, кокос, беже, рауғаш және т. б.
- Мұндай жемістерді немесе көкөністерді өңдеу үшін, асүйлік техниканың басқа түрлерін қолданыңыз.
- Тек піскен жемістер мен жаңа піскен көкөністерді қолданыңыз, өйткені олардың құрамында шырын көп болады.
- Шырын жасау үшін әртүрлі жемістерді (алма, жүзім, ананас және т. б.) немесе көкөністерді (сәбіз, қызылша, балдыркөк сабағы, шпинат, қияр, қызанақ және т. б.) пайдалана аласыз.
- Шырын сығар алдында, жемістер мен көкөністерді мұқият жуыңыз және оларды құрғатыңыз.
- Жидектер тез балғындықты жоғалтады, жидектерді дәл шырынды сығар алдында жуыңыз.
- Жемістер мен көкөністердің жұқа қабығын аршудың қажеті жоқ, тек қалың қабығын аршыңыз, мысалы, ананасты немесе қызылшаны.
- Сіздің талаптарыңызға сәйкес келетін алма түрін таңдаңыз, шырынның қанықтылығы алма түріне байланысты екенін ұмытпаңыз.
- Алма шырынын сыққанда, алманың өзегін алмауға болады.
- Алма шырыны тез қараяды, лимон шырынының бірнеше тамшысын қосыңыз, алма шырынының қараюу процесі баяулайды.
- Шырын сығылғаннан кейін бірден қолданыңыз, ауада ұзақ уақыт сақталса, шырын өзінің дәмі мен тағамдық құндылығын жоғалтады.
- Егер сіз шырынды сақтауды жоспарласаңыз, оны ауа өткізбейтін қақпағы бар таза сыйымдылыққа құйыңыз және тоңазытқышта сақтаңыз.
- Шырынды металл сыйымдылықта сақтау ұсынылмайды, шырында ерекше дәм пайда болуы мүмкін.

## ШЫРЫН ДАЙЫНДАУ

### НАЗАР АУДАРЫҢЫЗ!

- Шырынсыққыш жұмысының үздіксіз циклінің рұқсат етілген максималды уақыты 1 минуттан аспайды, одан кейін 1 минуттан кем емес үзіліс жасалады.
- Шырынсыққышты жинамас бұрын, әрдайым сүзгі-үккішті (4) механикалық зақымдануына қатысты тексеріңіз.
- Сүзгі-үккіштің механикалық зақымдануы болған жағдайда шырын-сыққышты (4) пайдалануға тыйым салынады.
- Жемістер мен көкөністерді дайындаңыз, оларды жақсылап жуыңыз, жемістердің жеуге болмайтын бөліктерін алып тастаңыз, мысалы, сабақтарын, ананасан қатты қабығын кесіп тастаңыз, шие немесе шабдалы сүйектерін алып тастаңыз, жемістерді немесе көкөністерді жүктеу мойнына (2) оңай түсетіндей кесектерге кесіңіз.
- Шырынсыққыштың дұрыс жиналуын және бекіткіштің (7) дұрыс орналасуын тексеріңіз.

- Шырынсыққышты электр розеткасына қосу әрдайым бос болатындай етіп, тегіс, құрғақ және орнықты жерге орнатыңыз.
  - Жұмыс режимдерінің ауыстырғышы (8) күйіне «0» орнатылғанына және қуат бауының ашасы электр розеткасына салынбағанына көз жеткізіңіз.
  - Шырынсыққыштың артқы жағында, қақпақтың астына (3), сығындыларды жинауға арналған контейнерді (10) орнатыңыз.
  - Шырын құятын шүмектің (6) астына шырын жинайтын сыйымдылықты (9) орнатыңыз.
  - Қуаттандыру бауының ашасын электр розеткасына тығыңыз.
  - Шырынсыққышты қосыңыз, ол үшін ауыстырғышты (8) күйге «1» - төмен жылдамдыққа, немесе күйге «2» - жоғары жылдамдыққа орнатыңыз.
  - Төмен жылдамдықты «1» жұмсақ жемістерден, жидектерден немесе көкөністерден шырынын сығу үшін пайдаланыңыз: - піскен алмұрт, апельсин, қара өрік, ананастар, жүзім, құлпынай, қызанақ, қияр және т. б.
  - Қатты жемістерден немесе көкөністерден шырынды сығу үшін жоғары жылдамдықты «2» қолданыңыз: - алма, сәбіз, қызылша, картоп, кәді, асқабақ, балдыркөк және т. б.
- Ескертпе:** бірінші рет қосқан кезде электр мотордан ерекше иіс пайда болуы мүмкін, бұл қалыпты жағдай, себебі электр моторға көмір қылшақтары жігіне келуі үшін біраз уақыт қажет және бұл кепілдік жағдайы болып табылмайды.
- Жемістерді немесе көкөністерді жүктеу мойнына (2), тек сүзгі-үккіш (4) айналған кезде салыңыз және оларды итергішпен (1) аздап басыңыз. Итергішті (1) қатты басу ұсынылмайды, итергішті (1) қатты бассаңыз сүзгі-үгіткіш (4) тоқтап қалуы мүмкін. Жемістерді немесе көкөністерді ұсақтау неғұрлым бау болса, шырын соғұрлым көп шығады.
  - Жұмыс кезінде тек жеткізу жинақталымына кіретін итергішті (1) қолданыңыз, жемістер мен көкөністерді жүктеу мойнына (2) саусақтарыңызбен немесе кез-келген басқа заттармен итеруге тыйым салынады.
  - Сүзгі-үккіштің күйін (4) балдырмен бітеліп қалмауын мезгілімен тексеріп отырыңыз, қажет болған жағдайда шырынсыққышты өшіріп, жұмыс режимдері ауыстырғышын (8) күйге «0» ауыстырыңыз және қуат бауының ашасын электр розеткасынан суырып алыңыз.
  - Шырынсыққышты бөлшектеңіз және сүзгі-үккішті (4) шығарып алыңыз, сүзгі-үккішті (4) ағынды судың астында жуып жіберіңіз және орнына қойыңыз, шешіп алынған бөлшектерді орнатыңыз және шырынсыққышты қолдануды жалғастырыңыз.
  - Шырынға арналған сыйымдылық (9) толған кезде, шырынсыққышты өшіріп, шырынды қолайлы сыйымдылыққа құйыңыз.
  - Сығындыларды (10) жинауға арналған контейнердің толтырылуын қадағалаңыз, егер контейнер

(10) сығындыларға толтырылған болса, шырынсыққышты өшіріңіз және сығындыларды контейнерден (10) шығарып тастаңыз.

**Ескертпе:** сығындыларды оңай шығарып алу үшін контейнерге (10) өлшемі сәйкес келетін пакет салып қою және сығындыларды пакетпен бірге алып тастау ұсынылады.

- Шырынсыққышты қолданғаннан кейін, жұмыс режимдерінің қосқышын (8) күйіне «0» орнатып, қуат бауының ашасын электр розеткасынан суырып алыңыз.

### ҚЫЗЫП КЕТУДЕН ҚОРҒАНЫС

- Егер электр мотордың жұмыс температурасы асып кетсе, қызып кетуден қорғау іске қосылады, және шырынсыққыш өшеді.
- Егер жұмыс кезінде шырынсыққыш өздігінен сөніп қалса, жұмыс режимі ауыстырғышын (8) күйіне «0» орнатыңыз, қуат бауының ашасын электр розеткасынан суырып алыңыз.
- Бөлмедегі температураға байланысты электр моторының салқындау уақыты 20-50 минут аралығында болуы мүмкін, электр мотор салқындағаннан кейін, қуат бауының ашасын электр розеткасына салыңыз және шырынсыққышты қосыңыз, ол үшін жұмыс режимдері ауыстырғышын (8) күйге «1» немесе «2» орнатыңыз.
- Егер шырынсыққыш қосылмаса, біраз уақыт күтіңіз, егер өзгеріс болмаса, бұл басқа ақауды білдіруі

мүмкін, бұл жағдайда авторланған сервистік орталыққа жүгініңіз.

- Шырынсыққыштың ұсынылған жұмыс істеу уақытын қадағалаңыз.

### ТАЗАРТУ ЖӘНЕ КҮТІМІ

- Шырынсыққышты тазалауды әрбір пайдаланғаннан кейін жүргізіп отырыңыз.
- Шырынсыққышты тазаламас бұрын, қуат бауының ашасын электр розеткасынан суырып алыңыз.
- Мотор блогын, қуат бауын және қуат бауының ашасын суға немесе кез-келген басқа сұйықтықтарға салуға тыйым салынады.
- Итергішті (1) қақпақтың (3) жүктеу мойнынан (2) шығарып алыңыз.
- Бекітішті (7) босатыңыз және қақпақты (3) шешіп алыңыз.
- Сүзгі-үккішті (4) шешіп алуды жеңілдету үшін оны шырын жинағышпен (5) бірге шешіп алыңыз, шырын жинағышты (5) ұстап, оны жоғары қарай көтеріңіз.
- Шешіп алынған бөлшектерді, шырын жинауға арналған сыйымдылықты (9), сығындыларға арналған контейнерді (10) бейтарап жуғыш зат қосылған жылы сумен жуып жіберіңіз, шайыңыз және құрғатыңыз.
- Сүзгі-үккішті (4) жуу кезінде сақ болыңыз, дискілі үккіштің беті өткір.
- Сүзгі-үгіткішінің (4) тесіктерін сыртынан қылшақты (11) пайдаланып жуып жіберіңіз.

- Шырынсыққыштың алынбалы бөлшектерін жуу үшін ыдыс жуғыш машинаны пайдалануға тыйым салынады.
- Мотор блогын сәл дымқыл матамен сүртіңіз, содан соң құрғатып сүртіңіз.
- Шырынсыққышты тазалау үшін губкаларды, абразивті тазалағыш заттарды немесе еріткіштерді пайдалануға тыйым салынады.
- Бояғыш қасиеттері бар жемістер мен көкөністер, мысалы, қара бүлдірген, сәбіз немесе қызылша, шырынсыққыштың бөлшектерін бояуы мүмкін, бұл жағдайда өсімдік майына малынған құрғақ шүберекті қолдануға болады, бөлшектерді тазалағаннан кейін оларды жұмсақ жуғыш зат қосылған жылы сумен жуып жіберіңіз, шайыңыз және құрғатыңыз.

### САҚТАЛУЫ

- Шырынсыққышты сақтауға алып қоярдан бұрын, оны тазалап алыңыз.
- Шырынсыққышты салқын және құрғақ жерде, балалардың және мүмкіндігі шектеулі адамдардың қолы жетпейтін жерде сақтаңыз.

### ЖИНАҚТАЛЫМЫ

- Шырынсыққыш – 1 дана.
- Нұсқаулық – 1 дана.

### ТЕХНИКАЛЫҚ СИПАТТАМАЛАРЫ

- Электр қуаттандыруы: 220-240 В, ~ 50-60 Гц
- Номиналдық тұтыну қуаты: 500 Вт
- Тиеу тесігінің диаметрі – 65 мм
- Шырын жинауға арналған сыйымдылықтың көлемі – 0,5 л
- Сығындыларға арналған контейнердің көлемі – 1,6 л

### Авторланған сервистік орталыққа жүгінуден бұрын.

Ақаулықтар	Жою әдістері
Шырынсыққышты алғаш рет іске қосқанда бөгде иіс пайда болды.	Бұл қалыпты жағдай, өйткені электр мотор көмір қылшақтары жігі келуі үшін біраз уақыт қажет.
Шырынсыққыш қосылмайды	<ol style="list-style-type: none"> <li>1. Шырынсыққыштың дұрыс жиналуын тексеріңіз, ысырманың дұрыс күнде тұрғанына көз жеткізіңіз.</li> <li>2. Электр розеткасында кернеудің бар-жоғын тексеріңіз, ол үшін электр розеткасына көрінеу жұмыс істейтін электр құралын қосыңыз.</li> <li>3. Қызып кетуден қорғау іске қосылып кетті, шырынсыққышты өшіріңіз, қуат бауының ашасын электр розеткасынан суырып алыңыз, 20-50 минут күтіңіз, содан кейін шырынсыққышты қосыңыз.</li> </ol>

Шырын мөлшері күрт төмендеді	<p>Сүзгі-үккіштің торы бітелген:</p> <ul style="list-style-type: none"> <li>- шырынсыққышты өшіріңіз, қуат бауының ашасын электр розеткасынан суырып алыңыз;</li> <li>- шырынсыққышты бөлшектеңіз және сүзгі-үккішті шығарып алыңыз;</li> <li>- сүзгі-үккіш торын тазалаңыз және шайыңыз.</li> </ul>
Шырынсыққыш жұмыс істеп тұрған кезінде қатты дірілдейді.	<p>1. Сүзгі-үккіштің бір жағына сығындылардың жабысып қалуы мүмкін.</p> <ul style="list-style-type: none"> <li>- шырынсыққышты өшіріңіз, қуат бауының ашасын электр розеткасынан суырып алыңыз;</li> <li>- шырынсыққышты бөлшектеңіз және сүзгі-үккішті шығарып алыңыз;</li> <li>- сүзгі-үккіш торын тазалаңыз және шайыңыз.</li> </ul> <p>2. Сүзгі-үккіштің механикалық зақымдануы:</p> <ul style="list-style-type: none"> <li>- сүзгі-үккішті қарап шығыңыз, механикалық зақымданулар болған кезде шырынсыққышты пайдаланбаңыз;</li> <li>- сүзгі-үккішін ауыстырыңыз.</li> </ul>
Шырынсыққыштың жұмысы қатты шуылмен бірге жүреді, жағымсыз иіс сезіледі, ол қатты қызады, түтін пайда болды және т. б.	Шырынсыққышты пайдаланды тоқтатыңыз, оны желіден ажыратыңыз және тексеру немесе жөндеу үшін авторланған сервистік орталыққа жүгініңіз.

## ПАЙДАҒА АСЫРУ



Қалдықтардың бақыланбай пайдаға асыруынан қоршаған ортаға немесе адамдардың денсаулығына зиян келтірмеу үшін, құралдың немесе қуаттандыру элементтерінің (егер жинақталымға кірсе) қызмет ету мерзімі аяқталғаннан кейін оларды әдеттегі

тұрмыстық қалдықтармен бірге тастамаңыз, аспапты және қуаттандыру элементтерін одан әрі пайдаға асыру үшін арнайы пункттерге жіберіңіз.

Бұйымдарды пайдаға асыру кезінде пайда болатын қалдықтар белгіленген тәртіп бойынша келесі пайдаға асырылатын тәртіппен міндетті түрде жинауға жатады.

Берілген өнімді пайдаға асыру туралы қосымша ақпаратты алу үшін жергілікті муниципалитетке, тұрмыстық қалдықтарды пайдаға асыру қызметіне немесе берілген өнімді сатып алған дүкенге хабарласыңыз.

Өндіруші алдын-ала ескертусіз, құрылғының дизайнын, конструкциясы мен оның жалпы жұмыс ұстанымдарына әсер етпейтін техникалық сипаттамаларын өзгерту құқығын өзіне қалдырады.

**Құрылғының қызмет көрсету мерзімі — 3 жыл**

**Өндірілген күні сериялық нөмірде көрсетілген.**

**Қандай да бір ақаулықтар табылған жағдайда дереу авторландырылған сервистік орталыққа жүгіну керек.**

A blank sheet of white paper with 20 horizontal dashed lines for writing. The lines are evenly spaced and extend across the width of the page. There are small black corner marks in the four corners of the paper, suggesting it was part of a bound notebook.

Hergestellt für «Ruste GmbH»,  
Berggasse 18/18, 1090 Wien,  
Österreich

Produced for «Ruste GmbH»,  
Berggasse 18/18, 1090 Vienna, Austria

Изготовлено по заказу Русте Гмбх,  
Бергассе 18/18, 1090 Вена, Австрия

Уполномоченное изготовителем  
лицо: ООО «Грантэл»  
143912, МО, г. Балашиха,  
ш. Энтузиастов, вл. 1А  
т.: +7 (495) 297-50-20,  
e-mail: info@brayer.su

Made in China/Произведено в Китае



brayer.ru

